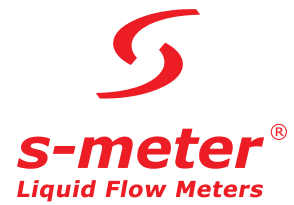


ELECTROMAGNETIC FLOWMETERS

S-MAG 100/200/300 SERIES FLOWMETER



SPECIFICATIONS

- Electromagnetic Flowmeters is a measurement instrument with high accuracy and automation that is used in many industrial applications.
- They have an easy-to-read backlit LCD display.
- It has pulse, 4-20mA, Frequency, Alarm outputs and RS-485 communication protocol.
- The liquid conductivity value for the standard measurement is $\geq 20 \mu\text{S} / \text{cm}$, optional $\geq 5 \mu\text{S} / \text{cm}$.
- Standard protection class is "IP67", optional "IP68" (Sensor).
- There are models with different connection options such as flanged, wafer, food connection.

APPLICATIONS

- Measuring water, wastewater and polluted water,
- Measurement of caustic, acid and other conductive liquids in the chemical industry,
- In the food industry such as milk, juice in the measurement of hygienic liquids,
- In cosmetics and pharmaceutical industry, textile, paint, in paper production facilities,
- Tile sludge measurement in the ceramic industry,
- In automation systems where remote control of devices is desired,
- They can be used in applications where a certain amount of dosage is desired.

S-MAG 100/200/300 SERIES FLOWMETER

S-MAG Series Electromagnetic flowmeters are designed for precise measurement of almost any type of conductive industrial fluid without pressure loss.

In accordance with the developing technology, S-MAG series flowmeters can be connected to centrally controlled automation systems and can be remotely controlled with the ModBus connection protocol.

S-MAG series flowmeters have 3 different models listed below according to their application places.

S-MAG FLOWMETER TYPES



S-MAG 100 Series Flanged Flowmeters

- It is the most demanded model in the industry and flange connections is in EN-1092-1 standard.
- The pressure classes; PN10 - PN16 - PN25 - PN40 can be selected according to the diameters.
- Liner options are H.Rubber, PTFE and PFA.
- Electrode options are SS 316L ,Hastelloy-C, Platinum, Titanium and Tantalium.



S-MAG 200 Series Wafer Type Flowmeters

- As the “L” length of the Wafer series is short, it is preferred in applications with narrow installation space.
- These models have a 304 SS body material.
- Diameter options of these models are between DN10-DN150.
- Flowmeters are standard Hastelloy-C electrodes and Liner material is PTFE.



S-MAG 300 Series Food Connection Flowmeters

- S-MAG 300 series flowmeters are used especially in hygienic applications in food and chemical industry.
- Connection and body materials of S-MAG 300 series flowmeters is SS 304.
- Electrodes material is standard Hastelloy-C and liner material is PTFE.
- Diameter options of these models are between DN25-DN80.

S-MAG TRANSMITTER FEATURES



- The local flow meter indicator can be made Remote with its special kit. or an indicator with Remote can be Localized.
- The display screen is backlit LCD.
- The LCD display have 2 screens that can display the total, instant flow and flow percentage display from first screen and the positive total, negative total and flow rates on the second screen.
- Both indicator to provide comfortable reading according to the assembly, as well as the screen can be turned in different directions.

TECHNICAL SPECIFICATIONS

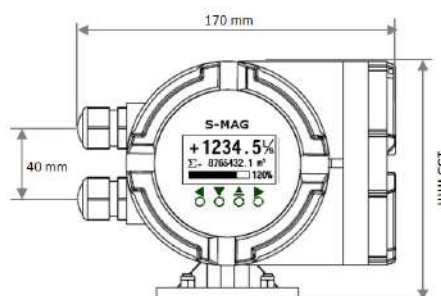
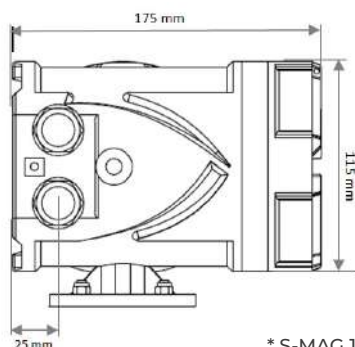
TRANSMITTER

LCD Display	3 Lines, Backlit LCD Display
1. Screen	Total / Flowrate / Flowrate Percentage
2. Screen	Positive total / Negative Total / Velocity
Mounting Types	Local - Remote
Outputs	Pals / 4-20mA / Frequency / RELAY
Communication	RS-485 Modbus
Working Temperature	-40 °C / +90 °C (*)
Ambient Temperature	- 10 °C / +55 °C
Protection Class	IP67
Supply Power	110 - 220 VAC - /18-36 VDC / Battery

SENSOR

Liner Types	H.Rubber, PTFE, PFA
Electrodes Types	SS 316L, Hastelloy-C , Platinum, Tantalium, Titanium
Working Temperature	H.Rubber -10°C / +80°C
	PTFE -40°C / +130°C
	PFA -40°C / +150°C
Pressure Options	PN6 / PN10 / PN16 / PN25 / PN63
Accuracy	± 0,5 %, Optionel ± 0,2 %
Repeatable	± 0,1 %
Velocity Range	0,3 - 10 m/s
iletkenlik Sınıfı	20 µS/cm, Optionel 5 µS/cm
Protection Class	Standard IP67, Optionel IP68
Tube	304 SS
Body Material	Standard: Carbon Steel, Optional : 304 SS / 316 SS
Connection Types	Flange - Wafer - Food connection

* When choosing a flow meter, also take into account the temperature of the Sensor body .



* S-MAG 100 Transmitter Dimensions

FLOW CHART

MIN. AND MAX. FLOWRATES

Size DN [mm]	Flowrate [m ³ /hour]	
	Min. Flowrate [0.3 m/s]	Max. Flowrate [10m/s]
10	0,08	2,8
15	0,2	6
20	0,4	11
25	0,6	18
32	1	30
40	1,5	45
50	2,5	70
65	4	120
80	6	180
100	9	282
125	15	440
150	20	635
200	35	1130
250	54	1750
300	80	2500
350	105	3450
400	136	4500
450	172	5600
500	216	7000
600	310	10000
700	420	13800
800	545	18000
900	690	22700
1000	850	28000



s-meter[®]
Liquid Flow Meters

www.sayac.com

www.sayacmarket.com

S-METER SAYAC OTOMASYON SIST. SAN. TIC. LTD. STI

İsmetpaşa Mah. Çiçek Sok. No:4 77100 / YALOVA

Tel. 0226 812 60 00 Fax 0 (226) 811 59 89

info@sayac.com

[f](#) [@](#) [t](#) [v](#) / sayacmarket